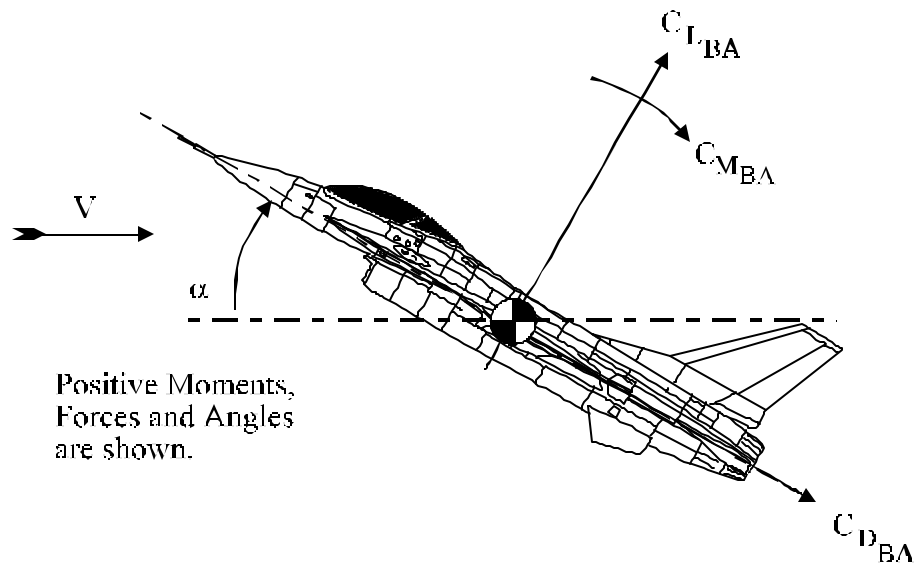
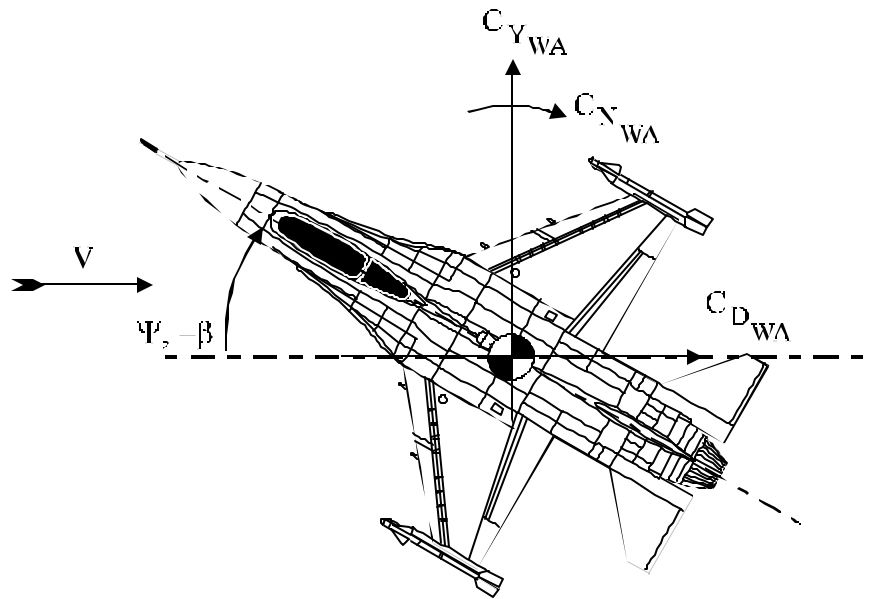


$C_{R_{BA}}$ Positive for
 down load on
 right wing.

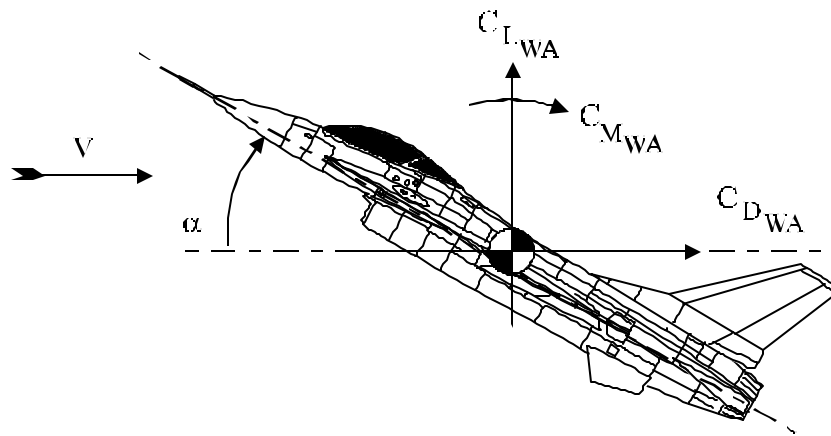


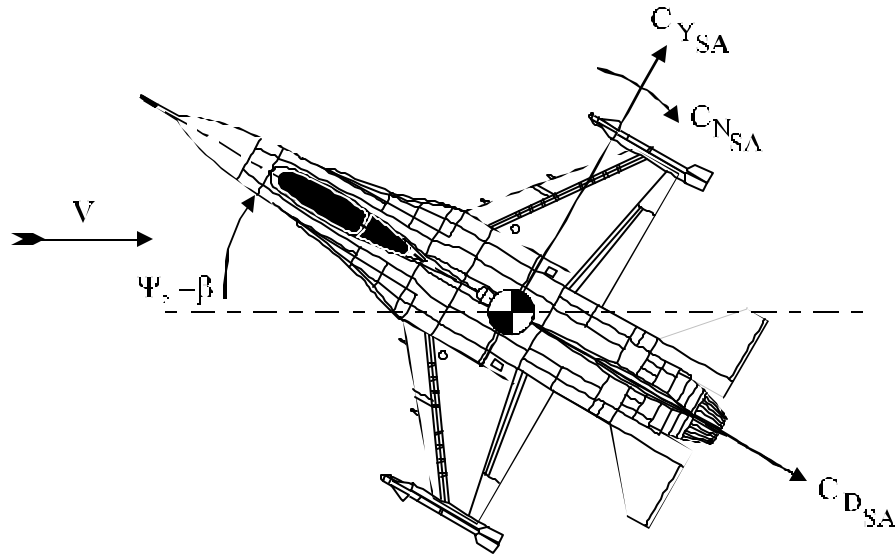
Positive Moments,
 Forces and Angles
 are shown.



Positive Moments,
Forces and Angles
are shown.

$C_{R_{WA}}$ Positive for down
load on right wing.





Positive Moments,
Forces and Angles
are shown.

$C_{R_{SA}}$ Positive for down
load on right wing.

